



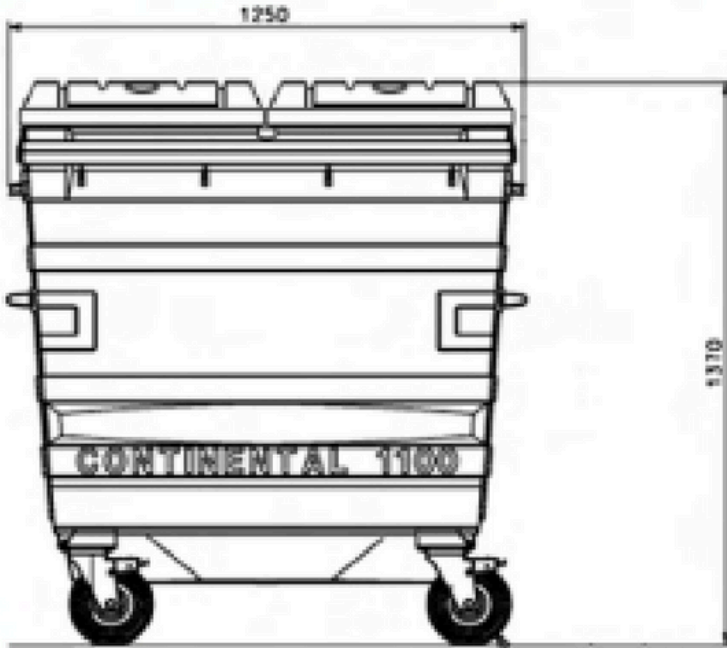
**IMPACT  
ENVIRONMENTAL  
GROUP**

# 1100L MK IV CONTINENTAL

DUO BIN Metal Waste Container



Scan me to find out more



Dimensions: MM

IEG products are covered with a **12 Month Guarantee**, so you can rely on us to maintain hygienic and sustainable community & commercial spaces.

## SPECIFICATION

MKIV Continental Container (BS EN 840 2, 5, 6, Compliant)

### Standard Spec

- Galvanised Shell
- 16mm Top Frame
- 1.7mm Base, 1.5mm Sides, 1.5mm Front/Back
- 3mm Internal Bash Plates (Frontal)
- Comb Bar / Frontal Receiver (7 Gussets)
- Danish Handles
- 200mm Standard Castors (2 x Braked / 2 x Swivel)
- Standard Drain Plug

### Optional Extras

- Powder Coating
- Lid Type / Colour
- Lid Security Options
- Towing & Din Lifting Points
- Internal / External Fork Pockets
- Foot Pedal
- Central Locking
- Rodent Proof Drain Plug

## Meet your sustainability goals, partner with IEG

The details provided in our specification sheets are for your general information and use only. They are subject to change due to the continual design and build development.



Oak Park, Ryelands Lane, Elmley  
Lovett, Droitwich, Worcestershire,  
WR9 0QZ

- +44 (0)1299 251 333
- enquiries@iegemea.com
- iegemea.com

